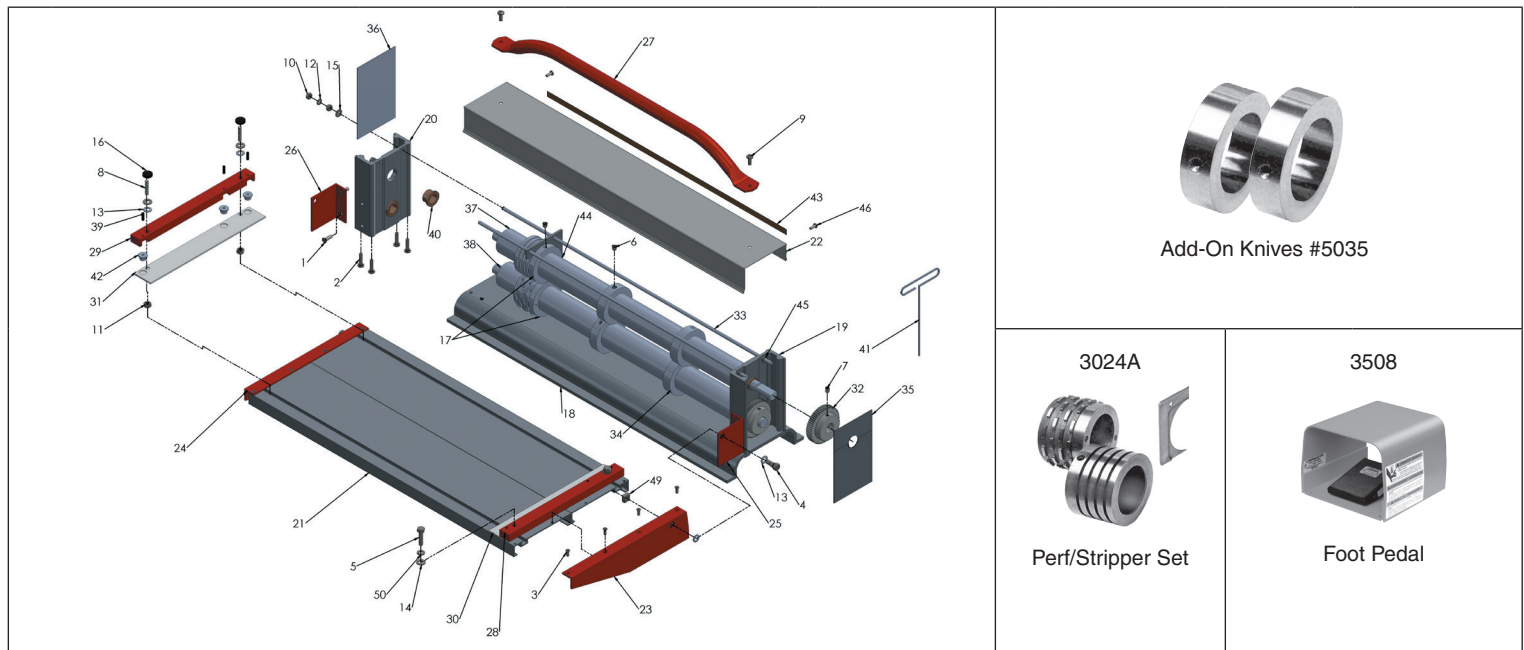
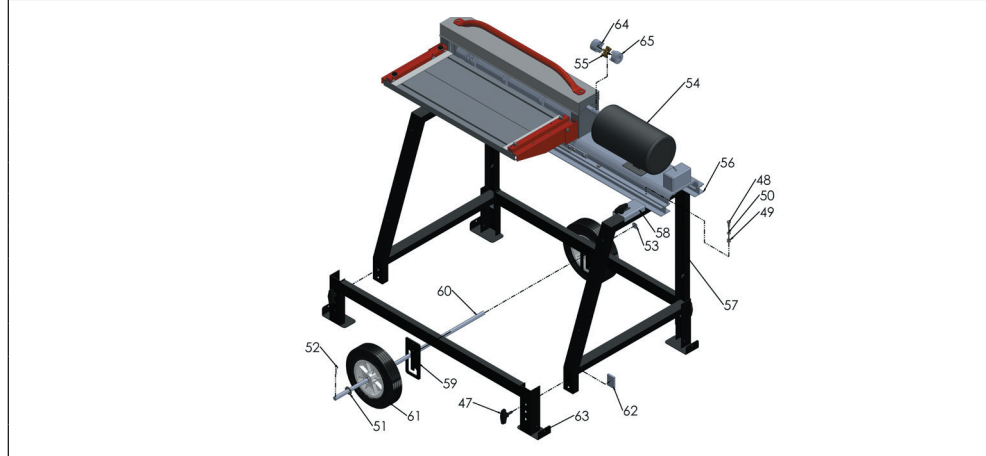


SCI24HD



Ref	Description	Part #	Ref	Description	Part #	Ref	Description	Part #
1	Sc, 1/4-20x3/4 Phil Flat Hd	2000	18	Base S24b/c	5002	35	End Cap RT	5036
2	Sc, 1/4-20x1 Phil Pan Hd Pltd.	2001	19	Bear Blk Rt	5005	36	End Cap LT	5037
3	Sc, 10-24x1/2 Phil Flat Type F	2004	20	Bear Blk Lt	5006	37	Top Shaft	5046
4	Sc, 3/8x3/8 Soc Hd Stripper	2010	21	Shelf S24b/c	5008	38	Bottom Shaft	5047
5	Sc, 5/16-18x1-1/4 Hex Hd Cap	2011	22	Top Cover S24b/c	5012	39	Roll Pin	5052
6	Sc, 5/16-18x3/8 Gib	2012	23	Shelf Bkt Rt	5015	40	Bearing Oilite	5053
7	Sc, 5/16-18x3/8 Soc Set Knurl	2014	24	Shelf Bkt Lt	5016	41	T -wrench	5054
8	Sc, 5/16-18 Lock Pres	2015	25	Shelf Pivot Rt	5017	42	Roller Guide	5055
9	1/4-20x5/8 Phil Pan Type F	2033	26	Shelf Pivot Lt	5018	43	Tape Rule S24b/c	5057
10	Nut, 1/4-20 Hex Plated	2300	27	Carry Hdl S24b/c	5020	44	Stripper, Perforator	5119
11	Nut, 5/16-18 Hex	2304	28	Guide Bar Rt	5023	45	Nut, 1/4-20 Nyloc Plated	2313
12	Washer, 1/4 Lock Plated	2500	29	Guide Bar Lt	5024	46	Sc, 10-24x1/2 Phil Pan Type F	2005
13	Washer, nylon	2501	30	Nylon Wear Stp Rt	5025	47	Sc, T Knob	2036
14	Washer, 5/16 Flat Pltd.	2505	31	Nylon Wear Stp Lt	5026	48	Sc, 5/16-18x3/4 Hex Hd Cap	2050
15	Washer, 1/4 Flat Pltd.	2510	32	Spur Gear, Tas	5028	49	Nut, 5/16-18 Square	2302
16	Knob, thumbscrew Tas	2714	33	Tie Rod S24b/c	5030	50	Washer, 5/16 Lock Pltd.	2504
17	Perforator Rollers 'c'	3024	34	Knife 2.0 "c"	5035	51	Washer, 5/8 Flat	2514
						52	Hairpin Cotter 3/8x.0915	2706
						53	5/8 Push On Cap	2717
						54	TAS Motor Hd 60hz	3535
						55	Brass Coupler Insert, Hd	5094
						56	Mount Rail Sci24hd	5129
						57	Unistand End Assembly	5400
						58	Unistand Latch Plate	5403
						59	EZ Go Axle Bkt.	5417
						60	Ez Go Axle	5418
						61	Ez Go 10" Wheel	5419
						62	EZ Go Nut Plate	5420
						63	40" Ez Go Cross Brace	5428
						64	Coupler 3/4, Hd	5021
						65	Coupler 1", Hd	5124



52	Hairpin Cotter 3/8x.0915	2706
53	5/8 Push On Cap	2717
54	TAS Motor Hd 60hz	3535
55	Brass Coupler Insert, Hd	5094
56	Mount Rail Sci24hd	5129
57	Unistand End Assembly	5400
58	Unistand Latch Plate	5403
59	EZ Go Axle Bkt.	5417
60	Ez Go Axle	5418
61	Ez Go 10" Wheel	5419
62	EZ Go Nut Plate	5420
63	40" Ez Go Cross Brace	5428
64	Coupler 3/4, Hd	5021
65	Coupler 1", Hd	5124