

Ref	Description	S14B Part No	S24B Part No	S24C Part No	S36C Part No	S48C Part No
1	Base, Main Slitter	5001	5002	5002	5003	5004
4	Shelf, Material Feed	5007	5008	5008	5009	5010
5	Cover, Top	5011	5012	5012	5013	5014
10	Carrying Handle, Top	N/A	5020	5020	N/A	N/A
17	Tie Rod	5029	5030	5030	5031	5032
18	Knife, Steel Slitting	5034	5034	5035	5035	5035
21	Arbor Shaft, Top	5038	5042	5046	5048	5050
22	Arbor Shaft, Bottom	5039	5043	5047	5049	5051

**Add-On Slitting Knives "Increase output"**

Part No	Model/Arbor
5033	A Model 1-1/8"
5034	B Model 1-1/2"
5035	C Model 2"

**Perforator Rollers "Make custom vent panels"**

3007	B Model 1-1/2"
3024A	C Model 2" (includes 5119)
5119	Perf Stripper (included with 3024A)

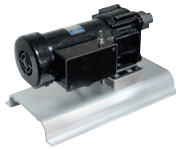
**Capacity Booster "For heavier ga. materials"**

3581	B Model 1-1/2"
3582	C Model 2"
3578	Booster Block-Fits all models

**Slitter Power Package "Automate"**

3521	115 Volt
3535	115 Volt HD
3522	220 Volt
3533	220 Volt HD
3508	HD Foot Pedal

Motor Part No 3521/3522



Perforator Set



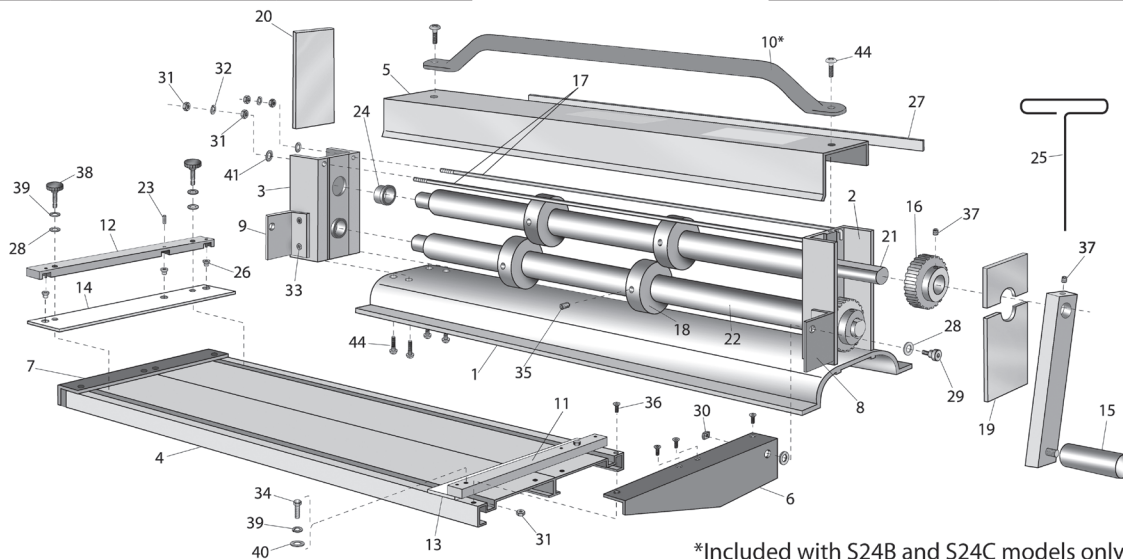
Motor Part No 3535



Slitter Knives

**Parts For All Models**

Ref	Description	Part No
2	Bearing Block, Right	5005
3	Bearing Block, Left	5006
6	Shelf End Bracket, Right	5015
7	Shelf End Bracket, Left	5016
8	Shelf Pivot Bracket, Right	5017
9	Shelf Pivot Bracket, Left	5018
11	Guide Bar, Right	5023
12	Guide Bar, Left	5024
13-14	Nylon Wear Strips	3518
15	Crank Handle	3514
16	Gear, Spur Drive	5028
19	End Cap, Right	5036
20	End Cap, Left	5037
23	Roll Pins, Steel	3517
24	Bearings, Oilite Bronze (2 ea)	3516
25	T-Wrench 5/32"	5054
26	Roller Guides, Edge (6 ea)	3515
27	Tape Rule	5059
35	Screw, 5/16-18x3/8" Gib (4 ea)	3631
37	Screw, 5/16-18 Socket Set	2014
38	Screw, 5/16-18 Lock Knob	2015



\*Included with S24B and S24C models only.

**Trim-A-Slitter™**

Orders must include model and serial no. in order to guarantee correct parts are shipped.