

Surelok II 13 24V HS

Reliable design

Unsurpassed quality

The Surelok II now with 24V high speed option

Superior features include

- Trusted Norlok WAMP pneumatic power unit
- 13" throat
- Fasten material from 32 gauge up to 14 gauge*
- Intelligent Safety Stroke now with adjustable "Anti Fatigue" 400ms to 3sec Auto Cycle
- Adjustable 1" (25.4mm) stroke
- Fastest OSHA safe clinching in the world - 2.5 clinches per second

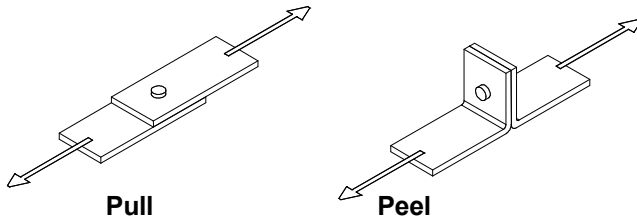


INNOVATIONS IN ENGINEERING

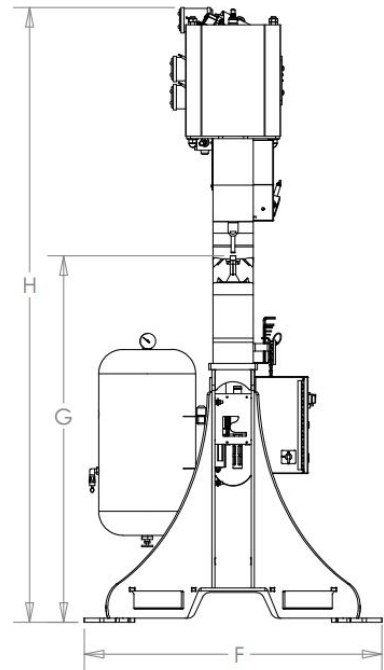
SPECIFICATIONS – SURELOK II 13 24V HS

- Press Design:** 5" Thick (127mm) steel "C" frame.
Rigid steel frame = longer tool life
- Features:** WAMP pneumatic power unit.
Regulator, Shut-off valve
Foot pedal operated
- Stroke:** 1" (25.4mm) max. (adjustable)
"Intelligent" safety stroke for greater operator safety.
- Throat:** 13" (330mm)
Work Height: 45" (1143mm)
- Upper Tooling:** Round tooling Only
Close tooling access allows for more applications.
Simple adjustments to suit material thickness.
- Lower Tooling:** Die insert on a hardened die plate with a hardened protection collar.
- Capacity:** MAX: 2 ply .075" (1.9mm) mild steel.
MIN: 2 ply .010" (.25mm) mild steel.
- Cycle speed:** 150 cycles/minute @3/8" stroke
- Air Requirements:** 90psi to 120psi (6.1 – 8.1 Bar)
100psi (6.8 Bar) (recommended)
Approx .5 cu ft (.014cu m) free air/cycle.
5 HP (3.75 kW) @ 60 clinches per min.
115/230 VAC 50/60 Hz .46/.26 Amps
- Weight:** 1270 lb. (577kg)

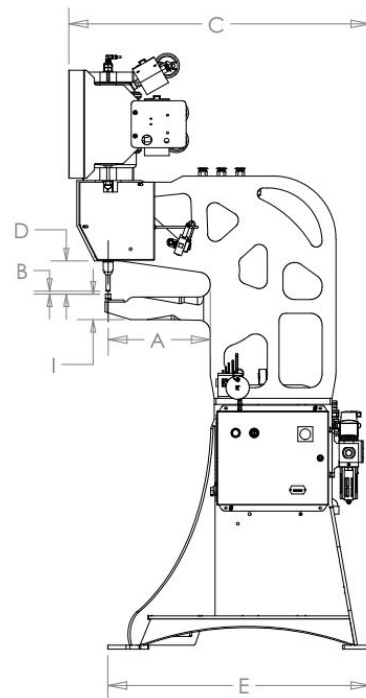
Typical Joint Strengths in Mild Steel:



Material Thickness" (mm)	Pull lbs(N)	Peel lbs(N)	Die Type
.075 (1.9)	550 (2447)	225 (1001)	#50
.060 (1.5)	475 (2113)	175 (778)	#50
.050(1.25)	430 (1913)	150 (667)	#40/#50
.040 (1.0)	400 (1779)	120 (534)	#40
.034 (.86)	375 (1668)	100 (445)	#30/#40
.028 (.71)	325 (1446)	85 (378)	#30
.022 (.55)	285 (1268)	70 (311)	#30



SL II 13 24V HS	
A	13" [330 mm]
B	1" [25.4 mm]
C	38.5" [978 mm]
D	4.25" [108 mm]
E	33" [838 mm]
F	37.5" [953 mm]
G	45" [1143 mm]
H	76" [1930 mm]
I	3.3" [83.8 mm]



Pipe diameter	Die reach into Pipe
4" (102mm) Ø	9" [228 mm]
5" +(127mm) Ø	12" [305 mm]